



Walker, Michigan, U.S.A. 49534-7564

**USER'S OPERATING AND INSTRUCTION MANUAL**

**MINI-VERT AIR BAGGER**

BREAD BAGGER



Oliver Packaging and Equipment Company  
3236 Wilson DR NW Walker, MI 49534

(800) 253-3893  
www.oliverquality.com

**OPERATOR'S MANUAL**  
**SAFETY INSTRUCTIONS**  
**INSTALLATION ON SLICER, BAG SELECTION,**  
**MAINTENANCE, PARTS LISTS**



***MINI-VERT AIRBAGGER MODEL M & M7***



Oliver Packaging and Equipment Company  
3236 Wilson DR NW Walker, MI 49534

(800) 253-3893  
[www.oliverquality.com](http://www.oliverquality.com)



DO NOT INSTALL, OPERATE OR DO MAINTENANCE OF THIS EQUIPMENT WITHOUT READING THE MANUAL.  
PROTECT YOURSELF AND OTHERS BY OBSERVING ALL SAFETY INFORMATION AND PROCEDURES. FAILURE TO  
COMPLY WITH INSTRUCTIONS COULD RESULT IN INJURIES AND/OR PROPERTY DAMAGES.

***SAFETY DEPENDS ON YOU!***



Trademark(s) owned by Bloemhof Industries Ltd.

Toll Free 1-800-253-3893  
Oliver Packaging and Equipment Co  
3236 Wilson Dr NW, Walker, MI 49534



Oliver Packaging and Equipment Company  
3236 Wilson DR NW Walker, MI 49534

(800) 253-3893  
www.oliverquality.com

The BLOEMHOF MINI-VERT AIRBAGGER MODEL M OR M7 will be a welcome addition to your shop because it was designed to reduce the labor intensive and tedious bagging operations. We invite you to study the instructions in order to obtain maximum performance, safety and satisfaction from this outstanding machine.

## **WARNING!**

***DO NOT INSTALL OPERATE OR MAINTAIN THIS EQUIPMENT WITHOUT READING AND UNDERSTANDING THIS MANUAL***

## ***SAFETY DEPENDS ON YOU!***

### **WARNING! ELECTRICAL SHOCK CAN KILL**

- **Install equipment in accordance with the all national and local electrical codes.**
- **Improper connection of the equipment grounding conductor and line voltage can result in a risk of electrical shock and / or damage to equipment, (such damages are not covered by warranty).**
- **Consult with a qualified electrician and / or service person to ensure that the outlet is properly grounded. Only a qualified electrician can modify the electrical cord and / or plug-in provided.**
- **Disconnect machine from electrical supply source before performing any and all maintenance.**



### GENERAL SAFETY INSTRUCTIONS

1. **READ** the Operators Manual carefully. Be thoroughly familiar with the controls and the proper use of the equipment.
2. **ONLY PERSONS** well acquainted with these rules for safe operation should be allowed to use this machine.
3. **Do not** wear loose clothing, scarves, or neckties. These items may become caught in moving parts and result in personal injury.
4. **VISUALLY** inspect machine prior to starting motor. Ensure all safety guards, covers and devices are in position and in good condition. Keep hands, hair, clothing and tools away from rollers, V-belts, conveyor belts and all other moving parts when starting, operating or repairing equipment. Do not disconnect Safety Bar or render it inoperable by tying or taping it in a fixed position.
5. **DISCONNECT** machine from power supply before performing servicing, maintenance, or cleaning. In some cases it may be necessary to remove safety guards to perform required maintenance. Immediately replace guards before placing the machine into service.
6. **TURN OFF** machine control before unplugging. Do not unplug machine and do not attempt to move the machine by pulling cord.
7. **DO NOT** operate machine when children are present and disconnect power supply when unattended.
8. **STAY ALERT!** Watch what you are doing and use common sense. Do not use the machine when you are tired, distracted or under the influence of drugs, alcohol or heavy medication.
9. **MOUNTING MINI-VERT ON SLICER OR TABLE** make sure bracket is securely fastened to slicer or table. When positioning mini-vert on bracket, make sure it is properly positioned and the clamping bolt is securely fastened.



## INSTALLATION - BAG SELECTION & OPERATION

### ADJUSTABLE MOUNTING BRACKET

*General installation instructions for the Oliver 797 slicer*

1. Locate height location on side of slicer (30" from the floor). Draw parallel line with pencil from front of machine to bearing plate on slicer.
2. Hold the adjustable mounting bracket against the slicer and locate penciled line through two pre-drilled holes in the mounting bracket.
3. Move bracket as far forward as slicer frame will allow along penciled line and mark holes.
4. Inspect inside frame of slicer before drilling holes to ensure that there are no obstructions.
5. Use 3/8" inch drill bit and drill two holes.
6. Position adjustable mounting bracket against slicer and install bolts supplied and tighten.
7. Position the Bloemhof Mini-Vert on bracket and tighten clamp bolt located on bagger.

### BAG SPECIFICATIONS

#### BASIC BAGS

Most applications using the MINI-VERT air bagger or the SUPER 12 Horizontal air bagger will be for either polypropylene or polyethylene bags. These bags must be designed with an extended bottom lip so that they can be mounted on a wire wicket. **Bags with perforated holes will not blow up properly.**

Industry specifications vary, however, approximately 250 bags per wicket works well with our machines.

#### BAG STYLES & BAG WIDTH SELECTION

*Oversized bags will make it easier to load the product but will give a sloppy appearance. Undersized bags will give a snug appearance, but make it more difficult to load. When using any air bagger, a compromise must be made on bag width in order to make the bagging operation as quickly as possible.*

*In selecting bag width, use as a minimum the width and the height of the product plus, ½ inch. Use the largest of all irregular areas when calculating bag size. Example, if your bread is 5 inches wide and 5 inches high, your bag width will be 10 ½ inches.*

BLOEMHOF MINI-VERT Model M **MINIMUM** bag width 9 inches

BLEOMHOF MINI-VERT M7 **MINIMUM** bag width 10 ½ inches

#### BAG LENGTH SELECTION

The length of your bag will be determined by the length of your product plus extra required for bag closure. Normally at least 5 inches of bag material is required for proper bag closure. Consult your bag supplier.



### **BAG INSTALLATION**

1. Position table in "loading" position, by pushing table away from wing assembly.
2. Remove all cardboard backing sheets from bag packs.
3. Insert bag wire into slotted holes in table and make sure bags are neatly positioned on Mini-Vert table.
4. Push table upright and ensure bag wire is positioned in slot on air funnel. Bags should be behind bag rests which are located on both sides of the wing assembly and attached to the table.
5. Open wings in front of bagger and push bags back towards the center of the table to open air channel. Switch on fan.
6. If bag does not open, shut off fan, open wings and push bags back towards the center of the table. If "static cling" occurs, thumb through bag pack several times.

### **OPERATION**

1. With air opened bag in the up-right position, place an UNSLICED LOAF in the chute and move slowly upward. If bread touches the air opened bag mouth, adjust wings on both sides of the Mini-Vert forward by loosening thumb screws.
2. When the wings are adjusted properly, position loaf to be bagged into the chute and with the same motion, slide loaf into the air-opened bag. The bread will be guided into the bag by the wing assembly.
3. Place your free hand on top of the air-opened bag and bring it down to meet the upcoming loaf for support. With the loaf of bread firmly between both hands, remove the bagged bread from the bag wire.
4. The bagged bread is now ready for sealing.



## PREVENTATIVE MAINTENANCE SCHEDULE

**WARNING! MAKE SURE TO ALWAYS DISCONNECT THE EQUIPMENT FROM THE POWER SUPPLY BEFORE PERFORMING ANY SERVICING, MAINTENANCE, AND CLEANING!**

### DAILY

1. Pull down loading table and remove pack of plastic bags.
2. Remove any plastic residue or crumbs from air funnel.
3. **CLEANING MACHINE**

Use a brush, air hose or damp rag. **Do not spray machine down with water!**

### WEEKLY

1. Inspect adjustable mounting bracket and tighten pivot bolt if required.
2. Remove wings from MINI-VERT and remove crumbs.

### EVERY 6 MONTHS

1. Remove fan housing and inspect blower.
2. Remove all foreign material from squirrel cage fan and re-install housing.
3. Inspect electrical supply cable and replace if damaged.
4. Check strain relief bushing and tighten if loose. Replace if damaged.

## PARTS LIST AS PER DIAGRAM

When ordering parts please make sure to have the following information available:

- The bagger model
- Serial Number ( Back panel of the machine, found on the name plate)
- Part Number and Quantity (If unsure please contact our Parts Person for help)

You can either place your order by phone at 1-800-253-3893 option 2 or fax at 616-456-7791

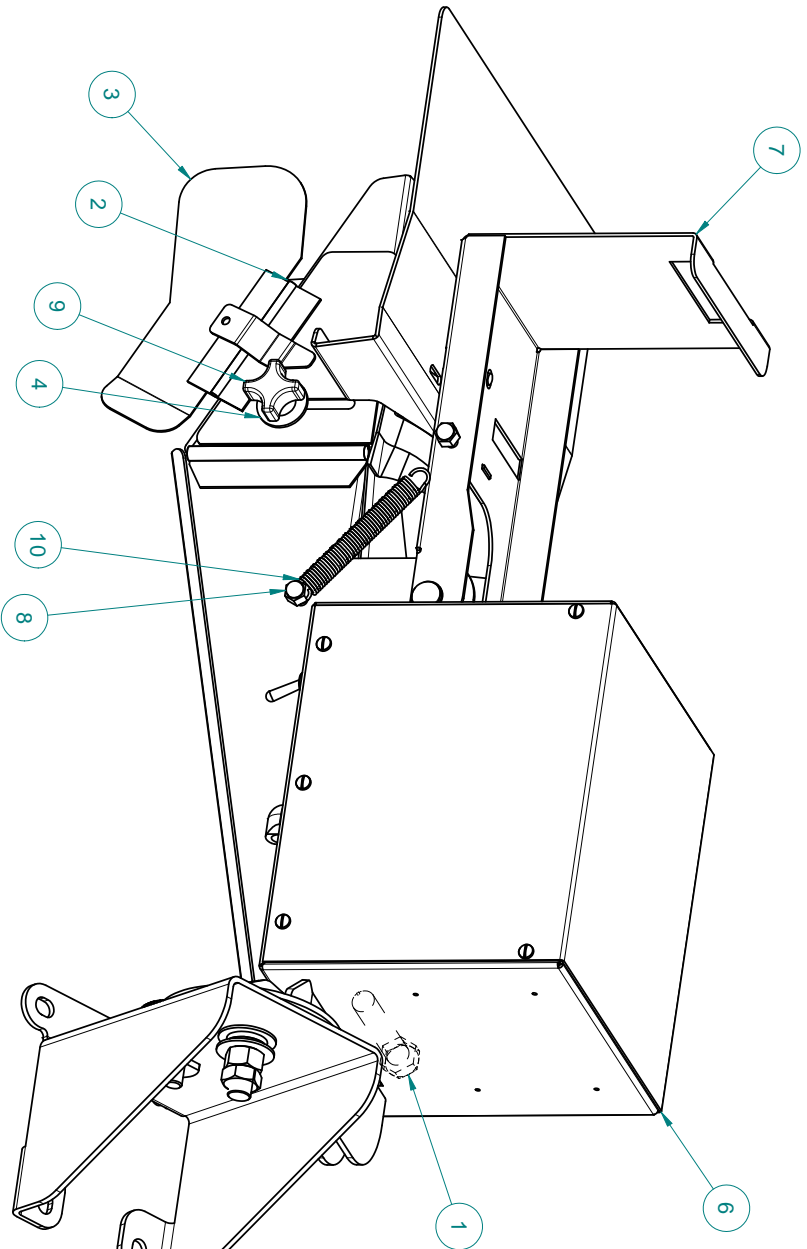


0	TOOL NAME	NUMBER
---	-----------	--------

# CHANGE C1170 - 9999 - 001

ITEM	PART NUMBER	DESCRIPTION	QUAN.
------	-------------	-------------	-------

Item Number	Part Number	Description	Qty
1	1170-0006	BOLT-MOUNTING	1
2	1170-0015	WELDMENT-LEFT WING	1
3	1170-0016	WELDMENT-RIGHT WING	1
4	1170-0017	WASHER	2
5	1170-0018	ASSEMBLY-ADJUSTABLE BRACKET	1
6	1170-25000	ELECTRICS-1/60/115 W/ HOUSING	1
7	1170-25004	WELDMENT-BAGGER FRAME	1
8	5832-0590	NUT-ACORN 1/4-20	4
9	5911-7034	KNOB-4 PRONG	2
10	7013-5100	SPRING-COMP .063 MW X .492 OD X 4" FL	2



LTR	CHANGE	DATE	BY	EC NO.	LTR	CHANGE	DATE	BY	EC NO.



WALKER, MICHIGAN, U.S.A. 49534-7564  
 THIS DRAWING AND ALL PROPRIETARY RIGHTS AND CONCEPTS HEREIN ARE THE EXCLUSIVE PROPERTY OF OLIVER PACKAGING AND EQUIPMENT COMPANY AND ARE NOT TO BE REPRODUCED OR TRANSMITTED IN ANY FORM OR BY ANY MEANS, ELECTRONIC OR MECHANICAL, INCLUDING PHOTOCOPYING, RECORDING, OR BY ANY INFORMATION STORAGE AND RETRIEVAL SYSTEM, WITHOUT PERMISSION OF OLIVER PACKAGING & EQUIPMENT COMPANY.

NAME **BAGGER-MINI-VERT 1/60/115**  
 MATL NO. \_\_\_\_\_ FINISH \_\_\_\_\_  
 DRAWN BY **TELECZAN** DATE **1/10/17** SCALE **1/4**  
 REMOVE BURRS & SHARP EDGES DO NOT SCALE THIS DRAWING  
 DIMENSIONAL TOLERANCES UNLESS SPECIFIED FRACTIONAL ±.164 DECIMAL ±.005 ANGULAR ±1°



Oliver Packaging and Equipment Company  
3236 Wilson DR NW Walker, MI 49534

(800) 253-3893  
www.oliverquality.com

## WARRANTY

### PARTS

Oliver Packaging & Equipment Company warrants that if any part of the equipment (other than a part not manufactured by Oliver Packaging & Equipment) proves to be defective (as defined below) within one year after shipment, and if Buyer returns the defective part to Oliver Packaging & Equipment within one year, Freight Prepaid to Oliver Packaging & Equipment's plant in Grand Rapids, MI, then Oliver Packaging & Equipment, shall, at Oliver Packaging & Equipment's option, either repair or replace the defective part, at Oliver Packaging & Equipment's expense.

### LABOR

Oliver Packaging & Equipment further warrants that equipment properly installed in accordance with our special instructions, which proves to be defective in material or workmanship under normal use within one (1) year from installation or one (1) year and three (3) months from actual shipment date, whichever date comes first, will be repaired by Oliver Packaging & Equipment or an Oliver Packaging & Equipment Authorized Service Dealer, in accordance with Oliver Packaging & Equipment's published Service Schedule.

For purposes of this warranty, a defective part or defective equipment is a part or equipment which is found by Oliver Packaging & Equipment to have been defective in materials workmanship, if the defect materially impairs the value of the equipment to Buyer. Oliver Packaging & Equipment has no obligation as to parts or components not manufactured by Oliver Packaging & Equipment, but Oliver Packaging & Equipment assigns to Buyer any warranties made to Oliver Packaging & Equipment by the manufacturer thereof.

This warranty **does not** apply to:

1. Damage caused by shipping or accident.
2. Damage resulting from improper installation or alteration.
3. Equipment misused, abused, altered, not maintained on a regular basis, operated carelessly, or used in abnormal conditions.
4. Equipment used in conjunction with products of other manufacturers unless such use is approved by Oliver Packaging & Equipment in writing.
5. Periodic maintenance of equipment, including but not limited to lubrication, replacement of wear items, and other adjustments required due to installation, set up, or normal wear.
6. Losses or damage resulting from malfunction.

The foregoing warranty is in lieu of all other warranties expressed or implied AND OLIVER PACKAGING & EQUIPMENT MAKES NO WARRANTY OF MERCHANTABILITY OR FITNESS FOR PURPOSE REGARDING THE EQUIPMENT COVERED BY THIS WARRANTY. Oliver Packaging & Equipment neither assumes nor authorizes any person to assume for it any other obligations or liability in connection with said equipment. OLIVER PACKAGING & EQUIPMENT SHALL NOT BE LIABLE FOR LOSS OF TIME, INCONVENIENCE, COMMERCIAL LOSS, INCIDENTAL OR CONSEQUENTIAL DAMAGES.



Oliver Packaging and Equipment Company  
3236 Wilson DR NW Walker, MI 49534

(800) 253-3893  
[www.oliverquality.com](http://www.oliverquality.com)

## WARRANTY PROCEDURE

1. If a problem should occur, either the dealer or the end user must contact the Parts and Service Department and explain the problem.
2. The Parts and Service Manager will determine if the warranty will apply to this particular problem.
3. If the Parts and Service Manager approves, a Work Authorization Number will be generated, and the appropriate service agency will perform the service.
4. The service dealer will then complete an invoice and send it to the Parts and Service Department at Oliver Packaging & Equipment Company.
5. The Parts and Service Manager of Oliver Packaging and Equipment Company will review the invoice and returned parts, if applicable, and approve for payment.



Oliver Packaging and Equipment Company  
3236 Wilson DR NW Walker, MI 49534

(800) 253-3893  
[www.oliverquality.com](http://www.oliverquality.com)

## RETURNED PARTS POLICY

This policy applies to all parts returned to the factory whether for warranted credit, replacement, repair or re-stocking.

Oliver Packaging and Equipment Company requires that the customer obtain a Return Material Authorization (RMA) number before returning any part. This number should appear on the shipping label and inside the shipping carton as well. All parts are to be returned prepaid. Following this procedure will insure prompt handling of all returned parts.

To obtain an RMA number contact the Repair Parts Department toll free at (800) 253-3893.

Parts returned for re-stocking are subject to a **RE-STOCKING CHARGE**.

Thank you for your cooperation,

Repair Parts Manager  
Oliver Packaging and Equipment Company